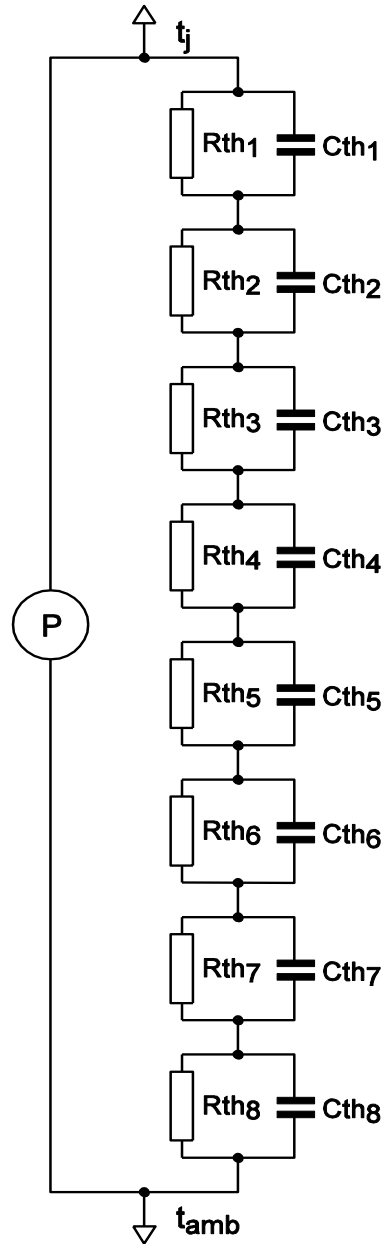


## SPICE thermal model

BUK6209-30C

Symbol	Parameter	Conditions	Min	Typ	Max	Unit
$R_{th(j-mb)}$	thermal resistance from junction to mounting base		-	-	1.87	K/W

$C_{th1}$	1.500E-02 F
$C_{th2}$	2.404E-03 F
$C_{th3}$	6.002E-04 F
$C_{th4}$	1.499E-04 F
$C_{th5}$	3.743E-05 F
$C_{th6}$	9.347E-06 F
$C_{th7}$	2.334E-06 F
$C_{th8}$	5.828E-07 F
$R_{th1}$	1.175E+00 $\Omega$
$R_{th2}$	5.070E-01 $\Omega$
$R_{th3}$	1.370E-01 $\Omega$
$R_{th4}$	3.700E-02 $\Omega$
$R_{th5}$	1.000E-02 $\Omega$
$R_{th6}$	2.733E-03 $\Omega$
$R_{th7}$	7.407E-04 $\Omega$
$R_{th8}$	2.007E-04 $\Omega$



001aal768

Part: BUK6209-30C  
 Version: 1  
 Date: 7-7-2010  
 Rth 1.872008547